

LOCKR  
HASP





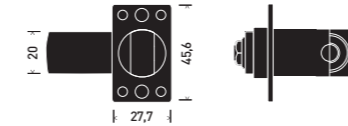
# LOCKR HASP

## HASP LOCK FOR LOCKERS

REF. 039 

Designed for lockers up to 20 mm thick, and heavy duty use in collective installations.  
Suitable for wet area use thanks to the materials used.

Equipped with anti-rotation system  
Optionally with backplate if the customer wants to use another system in the future (Coin lock, OTS proximity lock, etc.).



### LOCKR HASP

#### TECHNICAL SPECIFICATIONS

AVAILABILITY	Right / left.
FIXING	Screwed.
ROTATION	180°
CLOSING	With padlock of up to 8 mm in diameter.
FINISHES	Chrome.
MATERIALS	Lock in zamak and Cam in steel.

#### MECHANICAL REQUIREMENTS

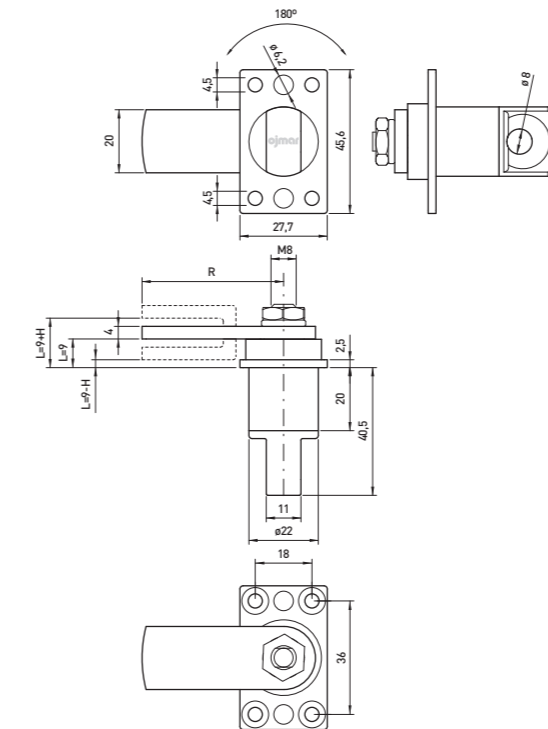
No. of cycles: 60,000 cycles according to the LGA guidelines  
48 hours in salt spray test.  
Resistance: 50 kg/f.

#### ACCESSORY OPTION

Backplate for OTS and coin lock footprint. 039.002PN

Padlocks available on request.

### TECHNICAL DRAWING





OJMAR, S.A.  
Polígono Industrial de Lerun, s/n  
20870 Elgoibar  
Gipuzkoa  
SPAIN  
T. +34 943 748484  
F. +34 943 748490  
[www.ojmar.com](http://www.ojmar.com)

